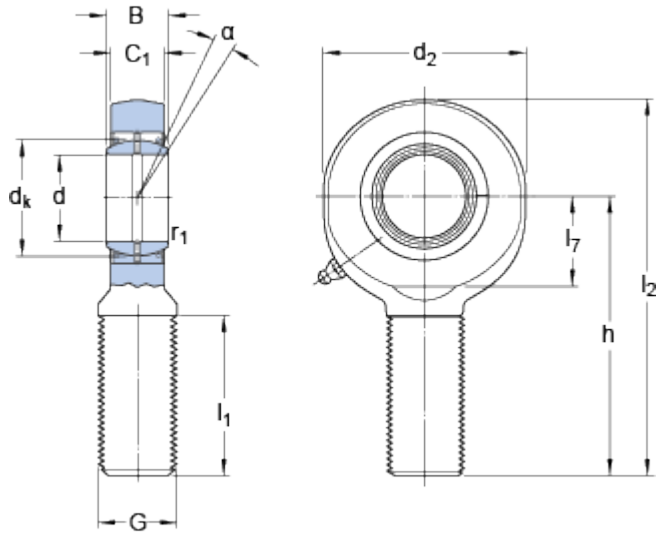


SA 60 ES-2RS

Dimensions



d		60	mm
d ₂	max.	137	mm
B		44	mm
G		M 60x4	
C ₁	max.	39	mm
h		225	mm
α		6	°
d _k		80	mm
l ₁	min.	120	mm
l ₂	max.	296	mm
l ₇	min.	73	mm
r ₁	min.	1	mm

Calculation data

Basic dynamic load rating	C	245	kN
Basic static load rating	C ₀	360	kN
Specific dynamic load factor	K	100	N/mm ²
Material constant	K _M	330	

Mass

Mass rod end		6.25	kg
--------------	--	------	----